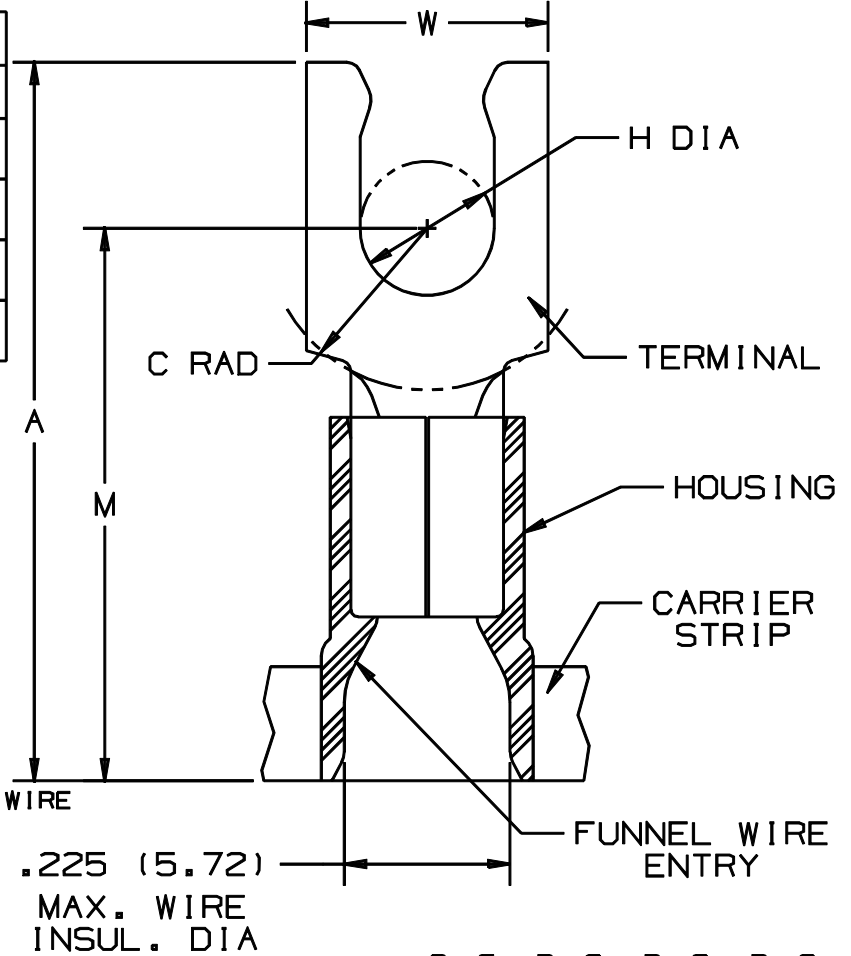


THIS COPY IS PROVIDED ON A RESTRICTED BASIS AND IS NOT TO BE USED IN ANY WAY DETRIMENTAL TO THE INTERESTS OF PANDUIT CORP.

PANDUIT PART NUMBER	STUD SIZE	DIMENSIONS in.				
		A $\pm .03$	W $\pm .01$	C $\pm .02$	M $\pm .03$	H $\pm .01$
PV10-6LFB-2K	#6	1.02 (25.91)	.30 (7.62)	.21 (5.33)	.77 (19.56)	.14 (3.56)
PV10-8LFB-2K	#8	1.04 (26.42)	.30 (7.62)	.21 (5.33)	.77 (19.56)	.16 (4.06)
PV10-10LFB-2K	#10	1.04 (26.42)	.34 (8.64)	.21 (5.33)	.77 (19.56)	.19 (4.83)
PV10-14LFB-2K	1/4"	1.16 (29.46)	.46 (11.68)	.32 (8.13)	.88 (22.35)	.25 (6.35)



NOTES :

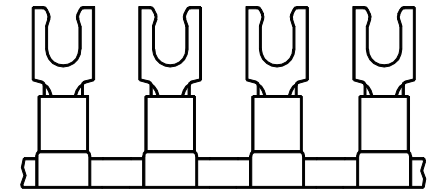
- UL LISTED AND CSA CERTIFIED FOR :
 A. 600 V MAX. VOLTAGE RATING
 B. 221°F (105°C) MAX. TEMP. RATING
 C. #12-10 AWG (2.5-6.0 mm²) SOLID OR STRANDED, COPPER WIRE
- PACKAGE QTY. : 2K = 2000 PCS.
CONTINUOUS MOLDED CARRIER STRIP
- MATERIAL :
 A. STAMPING - .04" THK COPPER, TIN PLATED
 B. HOUSING - YELLOW VINYL
- DIMENSIONS IN BRACKETS ARE IN MILLIMETERS
- INSTALLATION TOOLS :
 A. PRESSES - CP-851, CP-860, CP-861
 B. APPLICATOR - CA-800
 C. DIE INSERTS - CD-800-3
- WIRE STRIP LENGTH: 11/32 ^{+1/32}.0 (8.7 ^{+0.8}.0)



LISTED
587H
E52164



CERTIFIED
LR31212



A41070_03

3	12/00	ED		FILESPEC WAS: N41070CC_PCD_02	08925				<p>PANDUIT CORP. TINLEY PARK, ILLINOIS</p>		
2	5-95	MS		UPDATED NOTES AND DIMENSIONS	03246			TERMO 2PC. CONTINUOUSLY MOLDED VINYL INSULATED, #12-10 BARREL, LOCKING FORKS			
1	3-88	DSM		REDRAWN ON CAD							
REV	DATE	BY	CHK	DESCRIPTION	ECN #	PM	CUST	DRAWN BY	CHK'D	SCALE	DRAWING NO.
								DSM		NONE	A41070